



# Diesel Vehicle Generator

Performance you rely on.™



**Diesel** Vehicle pro  
**GENERATOR**

## Vehicle generator set Variable Speed **Series** **JEC60V** **JEC80V**



**Diesel** Inverter VSG  
GENERATOR

**Kubota**  
Diesel Engine

### Features and benefits

- Inverter technology, variable speed constant voltage and constant frequency, pure sine wave power, the world's first. Variable speed constant voltage and constant frequency make the noise lower, more fuel efficient, and longer generator life.
- Stainless steel sturdy housing, reliable performance become the leader in this industry development, for performance you can rely on.
- The snap-on detachable shell will provide you with more convenient repair and maintenance needs.
- A more humanized debugging method, which makes the complex debugging into pieces, making the debugging more humanized and simpler.
- Our generator has a built-in DSP control chip, which is connected to our original RSV technology to control the speed of the stepper motor more accurately and quickly, which ensures the constant voltage and constant frequency output of the motor, reduces noise and lowers noise, and saves fuel. .
- Built-in original air supercharging technology, which increases the power by 15%, and the engine has sufficient power to easily drive the alternator, allowing the engine to cool down and reduce noise, and the entire generator and engine have a longer life.
- Provides panel control and wireless remote control.

### Models and ratings

Model	kW/kVa	Voltage	Amps	Phase	Hz	Engine RPM
<b>JEC60V</b>	5.6/6.0	220-240	25.4-23.3	1	50/60	2800
<b>JEC80V</b>	6.5/8.0	220-240	29.5-27.0	1	50/60	3000

Single phase output at 1.0 power factor. Other single phase configurations are available, contact your distributor/dealer for more information. Rating conditions are 100 kPa (29.6 in Hg) barometric pressure, 30% relative humidity and 25° C (77° F) (ref. ISO 9001).

### Sound level, weight, and size

#### Sound level

Model	Configuration	Weight (dry)
JEC60V	65 dB(A)*	183 kg (402 lb)
JEC80V	65 dB(A)*	188 kg (413 lb)

#### Dimensions

Model	Configuration	Weight (dry)	Length	Width	Height
JEC60V	65 dB(A)*	183 kg (402 lb)	840 mm (28.3 in)	510 mm (20 in)	600 mm (23.6 in)
JEC80V	65 dB(A)*	188 kg (413 lb)	840 mm (28.3 in)	510 mm (20 in)	600 mm (23.6 in)

\* Full load at 1m

---

## Standard features

- Shutdown with diagnostic indicators: high engine coolant temperature, low oil pressure, overload, short circuit, etc.
- Start-run-stop switch with glow plug preheat and fuel pump priming mode for easy starting.
- Start function with automatic glow plug preheat start, cleaning function
- Advanced digital electronic controls provide extensive diagnostic capabilities
- Electronic governors enable gensets to maintain synchronous frequency control and tight voltage regulation, providing high-quality power for digital equipment and computers
- The coolant level can be observed on the controller.
- Controls the integrated digital voltage regulator
- 12 V DC electrical system with battery charging, negative ground and DC protective circuit breaker
- Electric fuel transfer pump for start and lift capability
- Fresh water cooling system with built-in heat exchanger tank and coolant recovery system
- With AC cooling circulating pump
- Secondary water-cooled muffler gas
- Runtime meter
- Intake muffler
- Air boost
- Mounting system with vibration isolators
- Full flow lube oil filter
- Oil drain and extension hoses
- Equipped with DC 12V electronic oil pump, the longest suction stroke is 10 meters.
- Fuel shut off via electronically regulated actuator
- Fuel Filter
- Flexible mounting arrangement for shock absorber installation
- Easy to install components include fuel input, fuel output, battery, cooling water inlet, exhaust and generator set power output wiring.
- Rugged housing of 304 stainless steel to prevent noise and rust
- Remote control can be installed in a convenient location, or optional Internet remote control.
- Optional wireless remote control.
- The large-capacity coolant tank can be used for a long time, and it can be maintained once every six months or a year.
- Factory load test

---

## Engine details

**Engine model:** IZ482-E3 (3000 rpm)

**Emission regulation:** EPA/CARB Tier 4 level + EU Stage V

**Type:** Vertical, water cooled 4-cycle diesel engine

**Cylinders:** 2

**Bore and stroke mm (in):** 67.0 x 68.0 (2.64 x 2.68)

**Displacement L (cu.in):** 0.479 (29.23)

**Aspiration:** Naturally aspirated

**Stand-by output / speed\*1 kW (HP) / rpm:** 7.5 (10.1) / 3000

**Continuous output / speed\*2 kW (HP) / rpm:** 6.9 (9.2) / 3000

Combustion system Indirect injection

**Fuel system:** In-line pump

Length x Width x Height\*3

(without aftertreatment unit) mm: (in) 413 x 386 x 564 (16.3 x 15.2 x 22.2)

**Dry weight kg (lb):** 78 (172)



## Typical fuel consumption

No.2 diesel fuel, L/hr (Gal/hr)	1/4 load	1/2 load	3/4 load	Full load
JEC60V	0.8(0.21)	1.0(0.26)	1.3(0.34)	1.6(0.42)
JEC80V	0.8(0.21)	1.0(0.27)	1.3(0.36)	1.6(0.45)

**Raw water flow rate:**

15 L/min (4 Gal/min)

**Starting system:** 230 V

**Fuel injection pump:** Bosch MD type

**Combustion Chamber:** Spherical

**Max Raw Water Lift:** 1.22 m (4 ft)

---

## Alternator details

**Design:** USR revolving field, 2-pole, drip-proof construction, with encapsulated rectifiers

**Voltage Regulator:** Integral with digital-control

**Stator:** Skewed stator and 2/3 pitch windings minimize field heating and voltage harmonics; resin-coated for corrosion protection

**Rotor:** Dynamically balanced assembly; supported by pre-lubricated, maintenance-free ball bearings

**Cooling:** Rotor mounted centrifugal blower

**Insulation system:** Class H per NEMA MG1-1 -1.65

## Generator set performance

**Operating environment:** Generator sets are durability tested at maximum ambient air temperature: 50° C (122° F) and raw water temperature: 37.8° C (100° F)

**Frequency regulation:** Isochronous Random frequency variation: Will not exceed +/-0.5% of its mean value for constant loads from no load to full load

**Voltage regulation:** No load to rated load +/-1.5%

**Machine dimensions:** 1460\*650\*850mm

**Packing dimensions:** 1660\*850\*1050mm

---

## Control panel

**Design:** USR Industries Design

**Smart Alarm:** Low voltage, high temperature, low oil pressure,

**Default display:** voltage, frequency,

**Screen 2 display:** oil pressure, water temperature

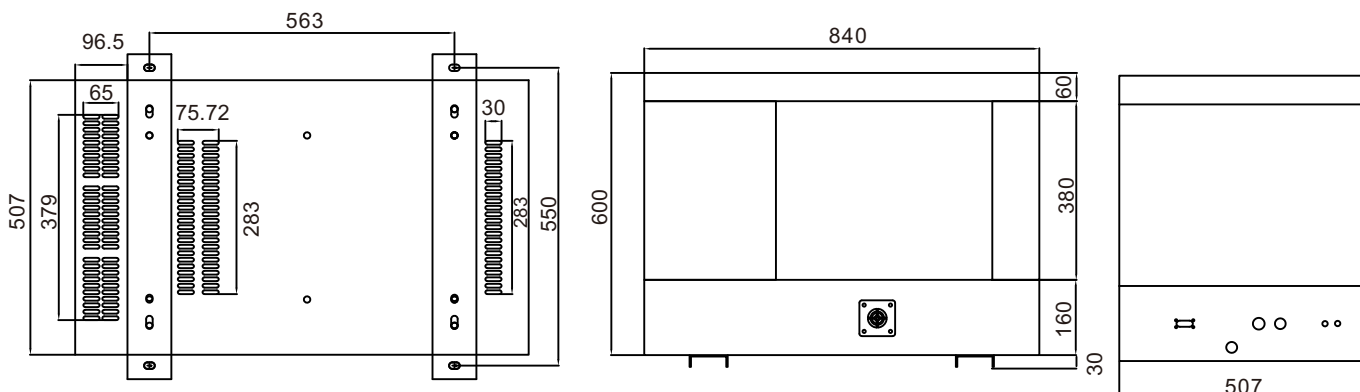
**Screen 3 shows:** fuel level, cumulative running time

**Shutdown protection:** no output shutdown protection, low voltage shutdown protection, low oil pressure shutdown protection, short circuit shutdown protection, overload shutdown protection



---

## Basic dimensions



**Note:** This outline drawing is provided for general reference only and is not intended for design or installation. For more information see Operation and Installation manuals or obtain drawing and wiring diagram from your distributor/dealer.

---



---

## Options

- The generator can be equipped with an external fuel tank, and the size and shape of the fuel tank can be customized according to the user's space.
  - Internet remote control and generator monitoring system.
- 

## Accessories

- 12-core data cable 5 meters (default length: 5m)
- Generator output line of 2 meters and 6 square mm (3\*6 mm\*2m)
- air filter
- fuel filter
- oil filter
- wireless remote



---

## Standards and testing

This generator set was designed and manufactured in facilities certified to ISO 9001. fuel

This series of generators has obtained CE certification

### **WARNING:**

Back feed to a utility system can cause electrocution and/or property damage. Do not connect to any building electrical except through an approved device or after building main breaker is open.

**USR**



### **USR industries**

N0.47 Jinshan Jillage, Songluo  
Country, Fuan City, Fujian, China  
[www.USRgenerator.com](http://www.USRgenerator.com)  
[info@usrgenerator.com](mailto:info@usrgenerator.com)

Wechat: 18605938763



USR Industries Turkey Authorized General Distributor  
İTAŞ ELEKTROMEKANİK SAN VE TİC. A.Ş.  
Orta Mahalle Nurbab Sokak 3/1 Pk: 34956 Tuzla / İstanbul

[www.itas.store](http://www.itas.store) [www.its.tc](http://www.its.tc) [itas@itas.store](mailto:itas@itas.store) [satis@itas.tc](mailto:satis@itas.tc)  
M: + 90 532 332 72 28 T: + 90 26 447 47 72